

# ***SPEEDIO***

**S300Xd1**

**S500Xd1**

**S700Xd1**

Compact Machining Center



# S

## SPEEDIO's bestselling model has further expanded the applicable range

Equipped with new "CNC-D00" controller to improve productivity and usability  
 Using a new 28-tool magazine increases target workpieces, leading to process integration.  
 Extensive specifications are available to meet a broad range of machining applications.

### Cutting Out the Waste *SPEEDIO*



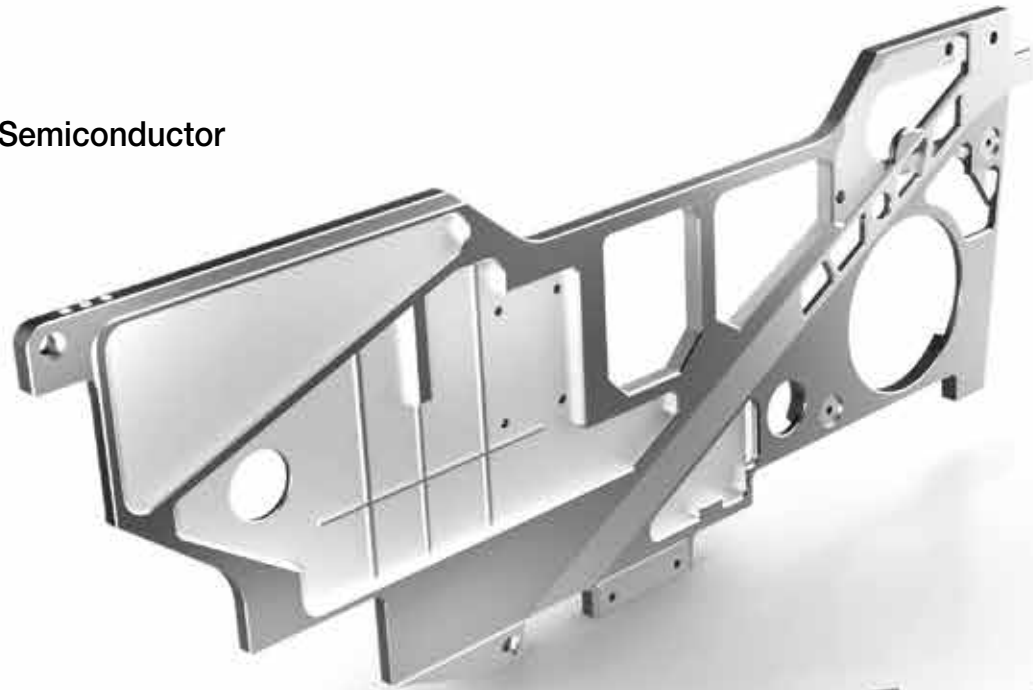
Basic specifications			
Max. spindle speed(min-1)	10,000	Rapid traverse rate(m/min)	X/Y/Z 50/50/56
	Optional: 10,000 high-torque Optional: 16,000, 27,000		Required floor space(mm)
Travel of each axis(mm)	S300Xd1 X300 Y400 Z300	S500Xd1 1,560 x 2,026	
	S500Xd1 X500 Y400 Z300	S700Xd1 2,050 x 2,026	
	S700Xd1 X700 Y400 Z300	BT dual contact spindle	Optional
Tool storage capacity(pcs.)	S300Xd1 14/21	Coolant Through Spindle	Optional
	S500Xd1/S700Xd1 14/21/28		



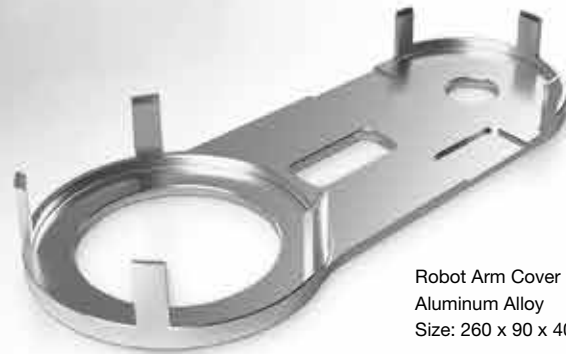
## Most extensive variation in its class provides best-fit solution for any type of application

A variety of specifications are available with different X-axis travel, spindle type, or tool storage capacity. Selecting the best specifications for your application ensures that the SPEEDIO provides incomparable productivity for customers in any industry.

### Semiconductor



Feeder Frame  
Aluminum Alloy  
Size: 600 x 250 x 12



Robot Arm Cover  
Aluminum Alloy  
Size: 260 x 90 x 40



IC socket Jig  
Aluminum Alloy  
Size: 65 x 65 x 6

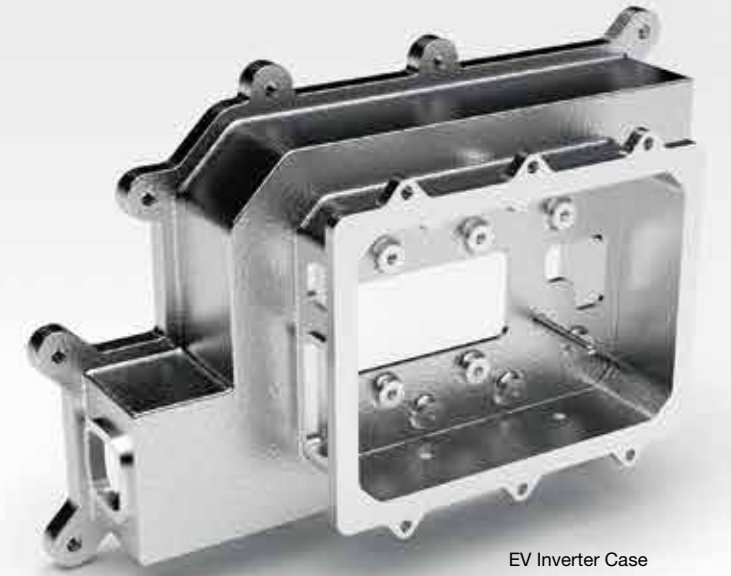


Support Bracket  
Stainless Steel  
Size: 133 x 60 x 30

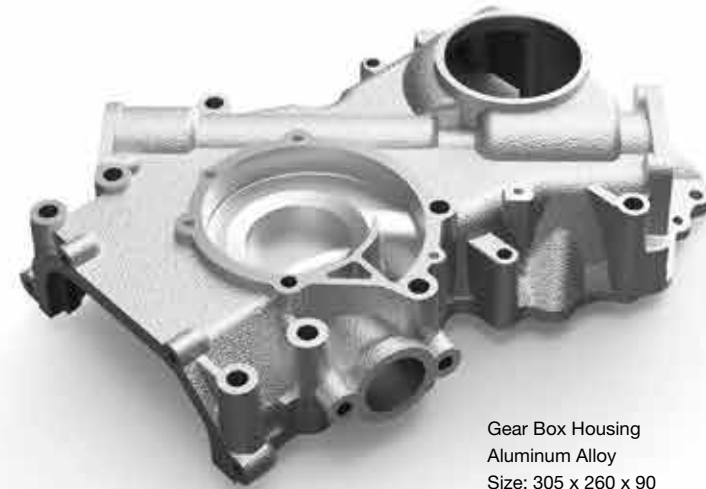
### Automobile



Drivetrain Part  
Forged Steel  
Size:  $\phi 74 \times 36$



EV Inverter Case  
Aluminum Alloy  
Size: 400 x 280 x 150



Gear Box Housing  
Aluminum Alloy  
Size: 305 x 260 x 90



Electric Water Pump Housing  
Aluminum Alloy  
Size: 111 x 96 x 71

### Precision equipment



Watch Case  
Stainless Steel  
Size: 44 x 49 x 9



Bone Plate  
Ti-6Al-4V  
Size: 80 x 30 x 10



Communication Part  
Copper  
Size: 100 x 42 x 20



Shower Valve  
Brass  
Size: 150 x 75 x 50

# New 28-tool magazine makes wider variety of machining possible on one machine, promoting process integration

Including a newly developed 28-tool magazine, the machine features more capacity for tools and jigs, process integration such as for multi-face machining, and a wider range of target workpieces. Together with the extensive range of specifications, the machine is suitable for a broad range of machining.

## 28-tool magazine

In addition to 14- and 21-tool magazines, a compact drum type 28-tool magazine has been developed with high-speed tool change performance maintained. The maximum tool weight has been improved to 4 kg.   
\*The 28-tool magazine cannot be selected for the S300Xd1.



## Max. table loading capacity 400 kg

The maximum table loading capacity has been increased to 400 kg. This expands choices of fixtures and promotes process integration.

\*Parameter setting must be changed for table loading capacity 400kg. Max. table loading capacity is 300kg for the S300Xd1.



**Max. tool weight 4kg**  
\* Parameter setting needs to be changed.

Table size(mm)	S300/S500Xd1	<b>600 x 400</b>
	S700Xd1	<b>800 x 400</b>

## Rotary table T-200Ad (optional)

Roller gear cam mechanism is used. Compared to a worm gear type, faster index machining is possible with higher accuracy. Optimal for process integration on the SPEEDIO.

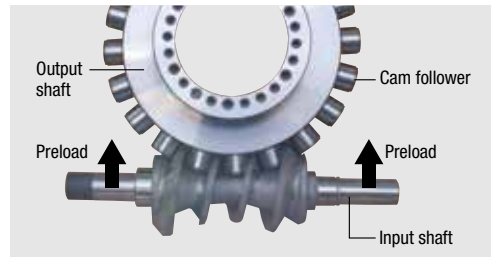


S500Xd1: Example of using support table



- High productivity
- High accuracy
- Extended service life

## Roller gear cam mechanism



S700Xd1: Example of mounting



0 to 180-deg. indexing time

Clamp mode	<b>1.02s</b>
Unclamp mode	<b>0.45s</b>



New 28-tool magazine	
Max. tool size	110 mm
Max. tool weight	4 kg
Total tool weight	35 kg
Tool-Tool	0.7 s (Tool weight ≤ 3 kg)
	0.8 s (Tool weight ≤ 4 kg)



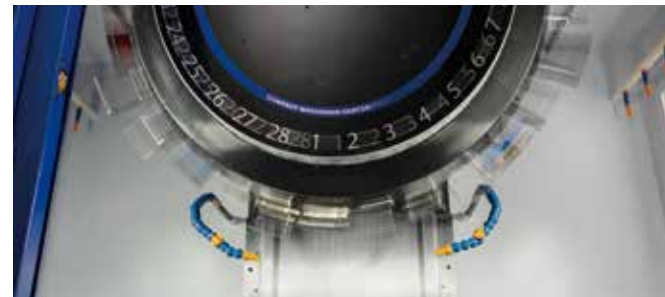
# Untiring pursuit of high productivity

## Reduction in waste by optimizing control through machine/controller integrated development

Optimizing control with the new “CNC-D00” controller eliminates all possible wasted operation during machining. Drives highly reliable machine performance to the limit to provide high productivity.

### Non-stop ATC

High-speed tool change has been achieved by faster and optimized spindle start/stop, Z-axis up/down, and magazine operation. Tools up to 3 kg can be changed in the shortest time. Tools up to 4 kg can also be changed with minimal increase in time.



28-tool magazine		14/21-tool magazine	
Chip-Chip	<b>1.3s</b>	Chip-Chip	<b>1.3s ▶ 1.2s</b>
Tool-Tool	<b>0.7s</b>	Tool-Tool	<b>0.7s ▶ 0.6s</b>
4 kg tool	28-tool	Chip-Chip	<b>1.4s</b>
	14-tool/21-tool	Chip-Chip	<b>1.3s</b>
		Tool-Tool	<b>0.8s</b>
		Tool-Tool	<b>0.7s</b>

\* For 4 kg tools, parameter setting needs to be changed.

### High acceleration/deceleration spindle

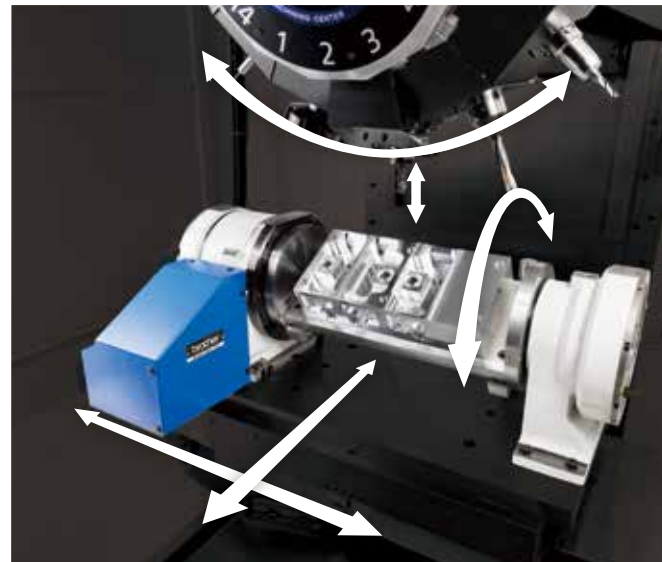
Using a low inertia spindle and high acceleration/deceleration spindle motor has achieved faster spindle start/stop.



Spindle start/stop time **0.15s or less** \* High-torque specifications

### Simultaneous operation

Wasted time has been reduced by simultaneously performing tool change and positioning X/Y and additional axes.



### High acceleration Z-axis

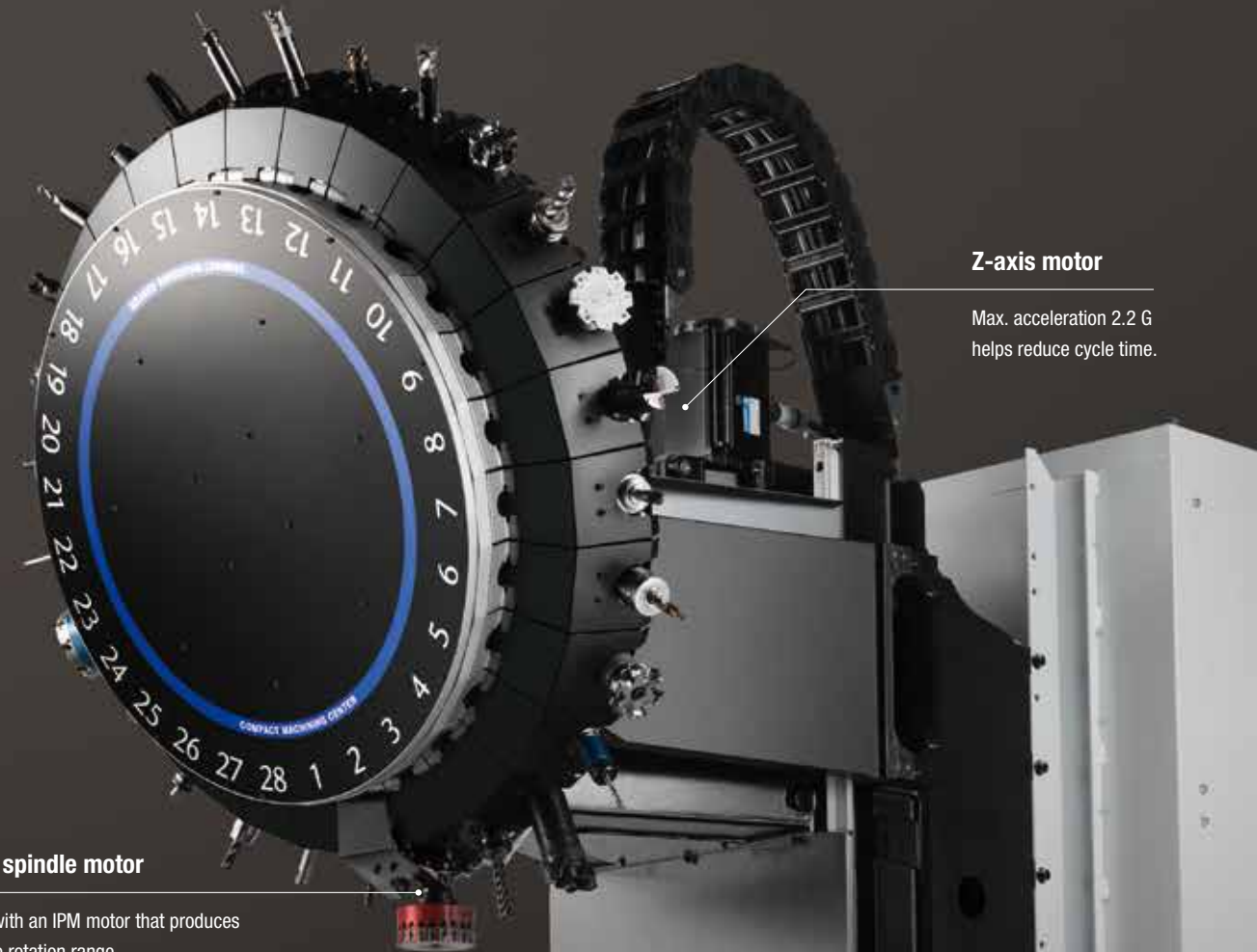
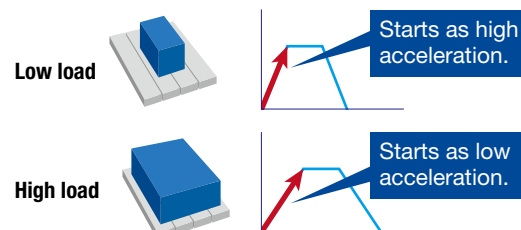
As the Z-axis moves frequently, the highest acceleration in its class has been achieved, contributing to reduction in cycle time.

Z-axis acceleration **Max. 2.2G**

### Optimal X/Y axes acceleration setting

This function sets the optimal acceleration for X/Y axes according to the table loading capacity.

X/Y-axes acceleration (at a load of 150 kg) **2.0G/1.3G**



### Z-axis motor

Max. acceleration 2.2 G helps reduce cycle time.

### Highly efficient spindle motor

Standard equipped with an IPM motor that produces high torque in a wide rotation range.

### Column

Tilt rigidity has been improved by approx. 70% by making the column thicker than former models.

### Machine table

Large enough so that up to 400 kg fixture can be mounted.

### X/Y-axes motor

Using high resolution encoder and optimal acceleration setting achieves high speed and high accuracy.

### Telescopic cover

A roof-shape that enhances chip evacuation performance is used to improve reliability.

### Base

Rib structure has been optimized through topology analysis. Rigidity when subject to external vibration is better than former models by 40% or more.



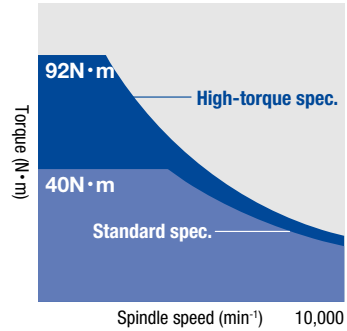
# Highly rigid machine structure and highly efficient spindle motor enable a broad range of machining

Prepared spindles applicable to machining in various industries, from automobile to semiconductor, precision parts, and IT equipment industries. The new NC with improved processing speed achieves high speed and high accuracy performance even in three-dimensional machining.

## Heavy-duty/highly-efficient machining using highly efficient spindle motor

A spindle motor with high torque in the medium- and high-speed range is used to achieve high-speed and highly efficient machining. In addition, the high-torque spec. (optional) machine demonstrates higher torque in the medium- and high-speed range, and greatly improves torque in the low-speed range. The machine provides excellent performance in heavy-duty machining such as large-diameter drilling and tapping.

### Motor torque characteristics



10,000 min <sup>-1</sup> high-torque spec. (optional)	
Max. torque	<b>92N·m</b>
Max. output	<b>26.2kW</b>
10,000 min <sup>-1</sup> standard spec.	
Max. torque	<b>40N·m</b>
Max. output	<b>18.9kW</b>

## High-speed and highly accurate three-dimensional machining using high-speed spindle and high accuracy mode

In addition to the highly-responsive servo control, the servo processing speed and resolution have been greatly improved. Enhanced original three-dimensional machining control, including increased look-ahead blocks and improved surface quality by the smooth path offset function, achieves high-speed and highly accurate three-dimensional machining.

High-speed spindle spec. (optional)	27,000min <sup>-1</sup>
High accuracy mode BI	Look-ahead 160 blocks
High accuracy mode BII (optional)	Look-ahead 1000 blocks

## Processing speed improved fourfold

Improved capability of processing minute line segments reduces machining time.



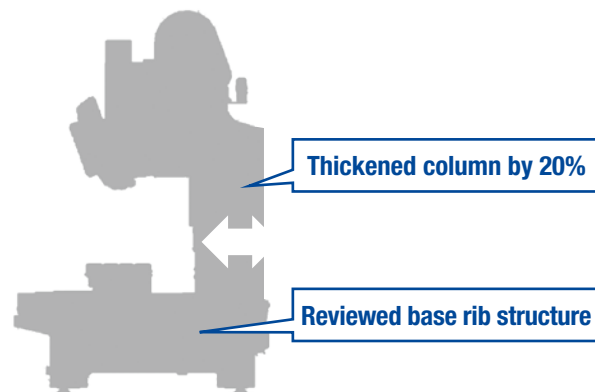
## 7 MPa Coolant Through Spindle (CTS) (optional)

The CTS option can be selected from 3 MPa or 7 MPa. With this option, the machine can operate to its fullest potential in high-speed drilling or peck drilling.



## Higher machine rigidity and minimal vibration

Using topology analysis, the shapes of the base and column have been changed to improve both static and dynamic rigidity. The machine can demonstrate high machining capabilities while minimizing effects of external vibration on the machined surface quality.



Machining capability		ADC	Cast iron	Carbon steel
Drilling	10,000min <sup>-1</sup>	D32 × 0.2 (1.26 × 0.008)	D28 × 0.15 (1.1 × 0.006)	D25 × 0.1 (0.98 × 0.004)
	10,000 min <sup>-1</sup> high-torque	D40 × 0.2 (1.57 × 0.008) D30 × 0.7 (1.18 × 0.03)	D34 × 0.15 (1.34 × 0.006) D26 × 0.4 (1.02 × 0.02)	D30 × 0.15 (1.18 × 0.006) D26 × 0.25 (1.02 × 0.01)
	16,000min <sup>-1</sup>	D24 × 0.2 (0.94 × 0.008)	D22 × 0.15 (0.87 × 0.006)	D18 × 0.1 (0.71 × 0.004)
	27,000min <sup>-1</sup>	D20 × 0.2 (0.79 × 0.008)	D19 × 0.15 (0.75 × 0.006)	D17 × 0.1 (0.67 × 0.004)
Tapping	10,000min <sup>-1</sup>	M27 × 3.0 (1-8UNC)	M24 × 3.0 (7/8-9UNC)	M16 × 2.0 (5/8-11UNC)
	10,000 min <sup>-1</sup> high-torque	M39 × 4.0 (1 1/2-6UNC)	M33 × 3.5 (1 1/4-7UNC)	M27 × 3.0 (1-8UNC)
	16,000min <sup>-1</sup>	M22 × 2.5 (7/8-9UNC)	M18 × 2.5 (5/8-11UNC)	M14 × 2.0 (1/2-13UNC)
	27,000min <sup>-1</sup>	M22 × 2.5 (7/8-9UNC)	M18 × 2.5 (5/8-11UNC)	M12 × 1.75 (7/16-14UNC)
Facing	10,000min <sup>-1</sup>	960 (58.6)	137 (8.4)	100 (6.1)
	10,000 min <sup>-1</sup> high-torque	1,700 (102.4)	255 (15.5)	200 (12.2)
	16,000min <sup>-1</sup>	660 (40.3)	73 (4.5)	48 (2.9)
	27,000min <sup>-1</sup>	600 (36.6)	45 (2.7)	24 (1.5)

\* Data obtained from tests conducted by Brother.







# Equipped with new “CNC-D00” controller Enhanced usability with 15-inch LCD touch panel

Intuitive operation is possible with new apps and vertical touch panel screen. Relevant functions are grouped according to purpose, such as setup and machining, leading to efficient operation. Production and operation states are visualized, allowing faster understanding. Waste-free operation is possible in setup, machining adjustment, production, and recovery process, leading to improved work efficiency and operating rate.

### Home screen

Information required for production, such as workpiece counter and tool life, is collected on the home screen. Shortcut keys are provided for screens frequently used so you can open them by one touch.



- Remaining/Elapsed machining time
- Workpiece counter
- Support apps/Shortcut keys
- Screen keys
- Program
- Tool life

### New user interface

Usability has been greatly improved by grouping relevant functions, creating new support apps that are intuitive with improved operability and visibility, providing useful accessories (calculator, notebook, file viewer etc.), and making operation on conventional screens possible on the touch panel.



List of support apps



Conventional screen (position screen)

### Setup support

Equipped with functions to easily perform setup, such as an ATC tool app that enables all magazine tool settings to be performed on one screen, menu programming that enables you to create NC programs by following instructions on the screen, and an on-screen help function.



ATC tool app

### Machining adjustment support

Equipped with functions to easily perform optimal machining adjustment to improve productivity, such as a machining parameter adjustment app that enables you to easily adjust parameters according to machining details and a machining load waveform display/saving function.



Waveform display app

### Production support

Equipped with functions to improve the operating rate, such as real time tool monitoring to eliminate defects, displaying production performance, power consumption etc. as a graph, and PLC/network functions to meet peripheral equipment and automation requirements.



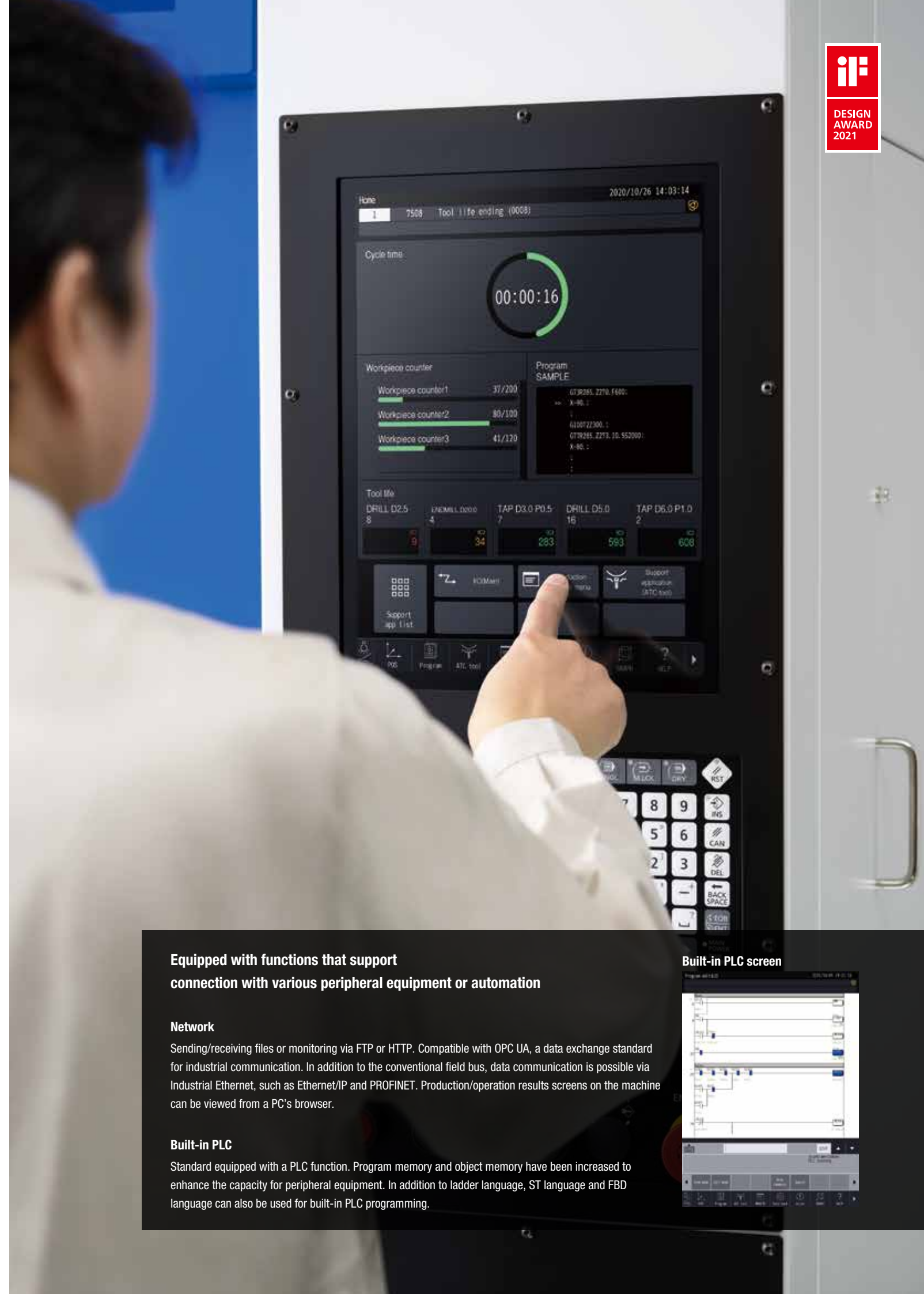
Production performance app

### Recovery support

Equipped with functions to prevent failure or ensure quick recovery, such as maintenance time notice, displaying details when an alarm occurs, and guidance for recovery/check work.



Recovery support app



### Equipped with functions that support connection with various peripheral equipment or automation

#### Network

Sending/receiving files or monitoring via FTP or HTTP. Compatible with OPC UA, a data exchange standard for industrial communication. In addition to the conventional field bus, data communication is possible via Industrial Ethernet, such as Ethernet/IP and PROFINET. Production/operation results screens on the machine can be viewed from a PC's browser.

#### Built-in PLC

Standard equipped with a PLC function. Program memory and object memory have been increased to enhance the capacity for peripheral equipment. In addition to ladder language, ST language and FBD language can also be used for built-in PLC programming.

### Built-in PLC screen





## Reliability maintains high productivity

Maintenance functions have been enhanced to prevent machine failure, with measures for chips taken to reduce machining defects. Thorough avoidance of machine stoppage maintains high productivity at production sites.

### Enhanced maintenance functions

The machine is equipped with many functions that can prevent possible defects in daily production sites, such as tool abrasion, omission of tool attachment, and re-machining of the same workpiece, and functions that assist with recovery in the case of machine failure or other problems.

### ATC tool monitoring

The presence of a spindle tool, tool holder mis-clamp, tool key position deviation etc. is checked before and after tool change without using a sensor.



Spindle tool check



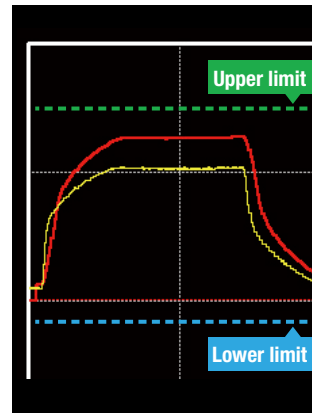
Key position deviation

### Machining load monitoring

Machining load applied to the spindle is monitored to issue an alarm when the load is not within the preset range.



Setting screen



Setting image

### Overload prediction

Predicts overload during mass production based on one machining cycle to prevent machine stoppage.



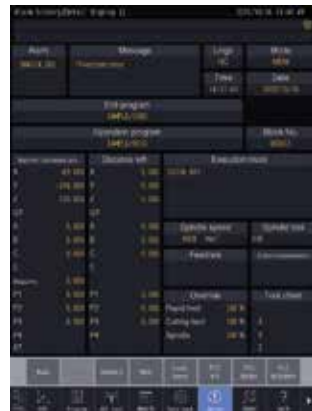
### Maintenance notice

Notifies operators of maintenance related issues in advance, such as greasing time.



### Alarm log

Displays alarm log details to help identify the cause.



### Automatic backup

NC programs, databank, and PLC data are saved to a USB memory stick as backup.

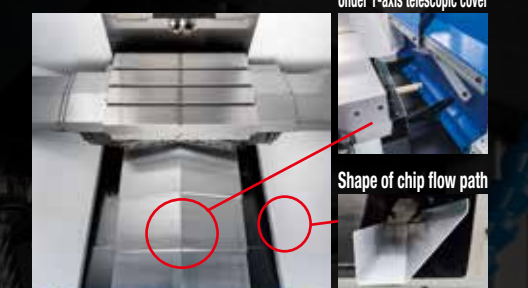


### Prevention of chip problems

Thorough chip evacuation/removal prevents chip problems, improving reliability.

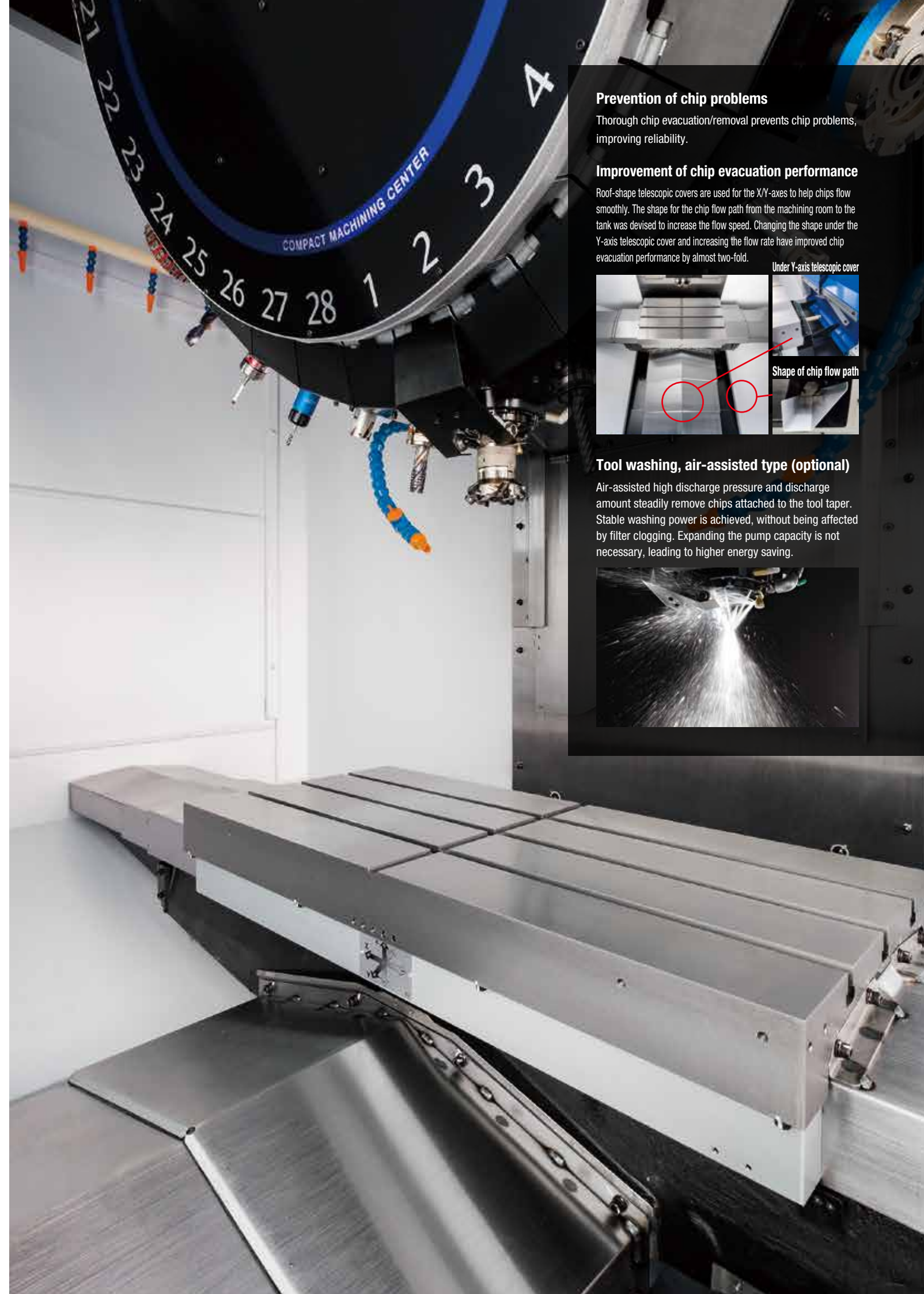
### Improvement of chip evacuation performance

Roof-shape telescopic covers are used for the X/Y-axes to help chips flow smoothly. The shape for the chip flow path from the machining room to the tank was devised to increase the flow speed. Changing the shape under the Y-axis telescopic cover and increasing the flow rate have improved chip evacuation performance by almost two-fold.



### Tool washing, air-assisted type (optional)

Air-assisted high discharge pressure and discharge amount steadily remove chips attached to the tool taper. Stable washing power is achieved, without being affected by filter clogging. Expanding the pump capacity is not necessary, leading to higher energy saving.





## Striving to create earth-friendly machines

Our efforts to improve environmental performance and effects of high productivity greatly reduce power consumption, contributing to the carbon neutrality of plants.

### Low power consumption

In addition to the low inertia spindle and highly efficient spindle motor, the machine is equipped with various energy saving functions to lower power consumption.

### Power regeneration system

Reuses the energy generated when the servomotor decelerates.

### Power consumption app

Current and past power consumption can be checked.



### Highly efficient spindle motor

### Energy-saving pump

### LED work light

### Energy-saving NC functions

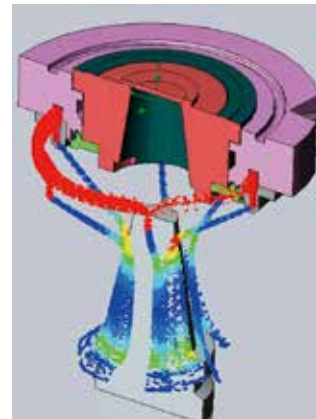
- Automatic coolant off
- Automatic work light off
- Standby mode
- Automatic power off

### Low air consumption

Air related functions have been reviewed and optimized to eliminate any waste, leading to reduction in air consumption.

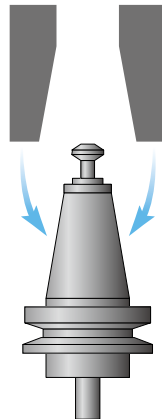
### Air purge

A highly airtight structure achieved through repeated flow rate analysis reduces the amount of air used.



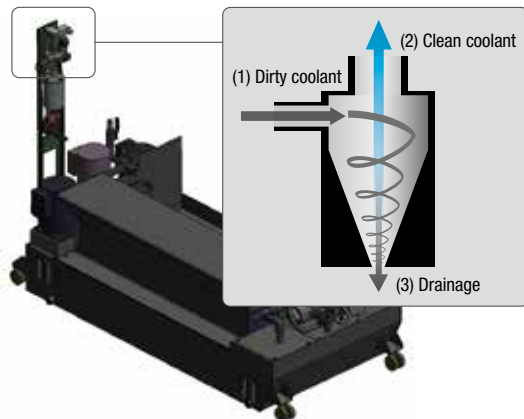
### Spindle air blow

Amount of air used is reduced by discharging three times the conventional volume of air only when required.



### Tank with cyclone filter and no consumables (special option for CTS)

Clean coolant is returned to the clean tank through another tank with a cyclone filter that removes fine chips. Coolant is kept clean this way to reduce the filter change frequency and extend the service life of the pump.



### Automatic oil/grease lubricator that optimizes consumption (optional)

Consumption amount and timing are optimized by the automatic oil/grease lubricator. Oil mixing with coolant can be minimized.

### Automatic oil lubricator



### Automatic grease lubricator

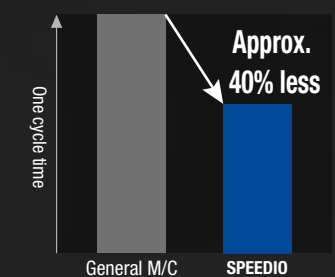


### Efforts for carbon neutrality

Brother will contribute to achieve a sustainable society through the development and sales of products with less environmental load and energy consumption.

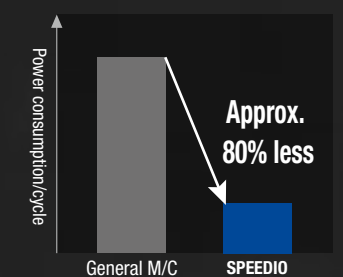
### Reduction in machining time

Compared to general M/Cs, machining time has been greatly reduced.



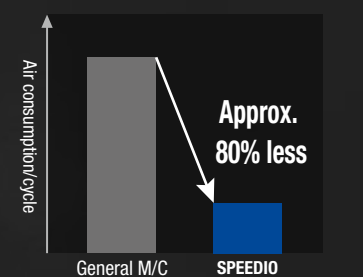
### Reduction in power consumption

Compared to general M/Cs, power consumption has been greatly reduced.



### Reduction in air consumption

Compared to general M/Cs, air consumption has been greatly reduced.







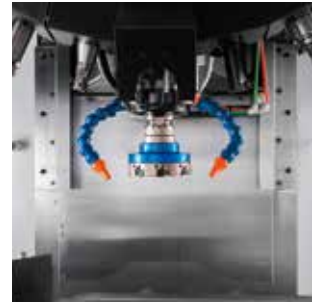
**Coolant tank**  
Can be selected from 50L, 100L, 150L, or 200L according to the purpose. If you need a CTS spec. higher than 1.5 MPa, this will be custom-built.



**Coolant Through Spindle (CTS)**  
Can be selected from 3.0 MPa or 7.0 MPa. Pump and tank are not included.



**Column coolant nozzle**  
Powerfully removes chips on and around the workpiece to prevent chips building up.



**Head coolant nozzle**  
Coolant can reliably be applied to the machining section as the tool and nozzles are set in place.



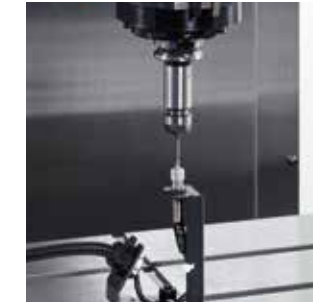
**Area sensor**  
Optical area sensors are used. Use area sensors to prevent operators being caught in the automatic door.



**Switch panel (8 holes or 10 holes)**  
Various switches, such as automatic door open/close switches, are set in specific locations. The switch panel (8 holes) is also available so that the position of the manual pulse connector can be changed.



**Manual pulse generator**  
A cable is provided for the manual pulse generator, making setup easier. Equipped with emergency stop and enable switches.



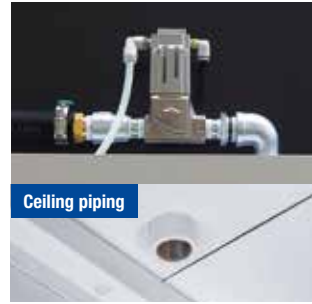
**Tool breakage detector, touch type**  
A touch switch type tool breakage detector is available.



**Chip shower**  
Chip shower pipes are located at the upper section inside the machine for more efficient flow, and flexible shower nozzles can be directed to the side of the machine cover or sections where chips tend to accumulate.



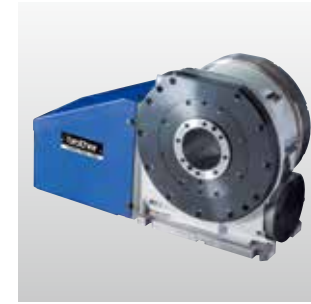
**Tool washing, air-assisted type**  
High discharge pressure and flow rate efficiently remove chips attached to the holder. Equipped with a filter clog warning function.



**Fixture shower valve unit**  
Consists of jig washing valves and pipes to the ceiling of the machine. Pipes from the machine to the required location must be prepared by customers.



**Cleaning gun**  
Helps clean the workpiece or chips inside the machine after machining.



**Rotary table T-200Ad**  
Reduction in the body width secures a wider jig area. Use of the roller gear cam mechanism achieves high productivity, high accuracy, and extended service life.



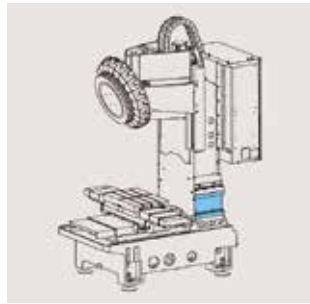
**Spindle override**  
Spindle speed can be changed without changing the program.



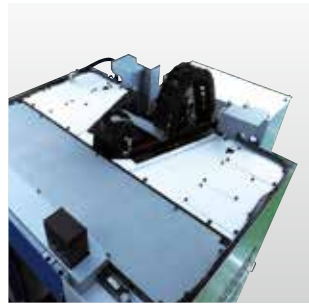
**Master on circuit**  
Master on circuit and switch can be attached. \* A switch panel (8 holes or 10 holes) is required separately.



**Data protection switch, key type**  
Changing the operation level is enabled or disabled by the key.



**High column (150 mm, 250 mm)**  
150 mm and 250 mm high columns are available to meet customer's needs.



**Top cover**  
Shutting the opening on the top prevents coolant or chips splashing outside of the machine. A hole for the mist collector is provided.



**Side cover with transparent window, single side**  
External light is drawn in to make the inside of the machine brighter and improve visibility.



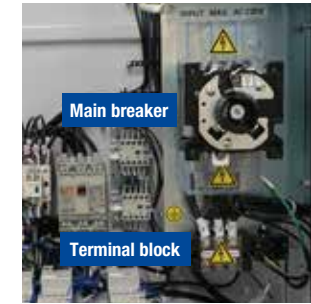
**Work light (right side, left side)**  
LED lamps are used to extend lamp life and save energy.



**Origin alignment mark**  
Aligning X/Y/Z-axes origin alignment marks clearly indicates home positions.



**100V outlet in control box**  
100V outlet is provided on the right inside the control box.



**Power supply expansion 50A**  
The capacity of the main breaker can be increased from 30A to 50A. The size of the relevant wiring increases accordingly. A terminal block for external equipment power supply is provided under the main breaker.



**RS232C 25-pin connector**  
RS232C 25-pin connector can be attached to the side of the control box.



**Signal light (1, 2, or 3 lamps)**  
LED lamps are used. No maintenance required. Can be tilted to improve visibility.



**Automatic oil lubricator**  
Regularly applies oil to all lubricating points on the tree axes.



**Automatic grease lubricator**  
Regularly applies grease to all lubricating points on the three axes. \*Manual greasing is required for the standard specification model.



**Automatic door with switch panel 10 holes**  
A motor-driven door is used, achieving smooth operation.

- Coolant tank
  - 1) Coolant tank, 50L
  - 2) Coolant tank, 100L
  - 3) Coolant tank, 150L
  - 4) Coolant tank, 150L for 1.5 MPa CTS pump with cyclone filter
  - 5) Coolant tank, 200L for 1.5 MPa CTS pump with cyclone filter
- Coolant through spindle (CTS) piping, Max. 3.0 MPa
- Coolant through spindle (CTS) piping, Max. 7.0 MPa
- Column coolant nozzle
- Head coolant nozzle
- Chip shower
- Tool washing, air-assisted type
- Fixture shower valve unit
- Cleaning gun
- Mesh basket for collecting chips
- High column (150 mm, 250 mm)
- Top cover
- Side cover with transparent window, single side
- Work light (1 lamp for right side, 1 lamp for left side)
- Signal light (1, 2, or 3 lamps)
- Automatic oil lubricator

- Automatic grease lubricator
- Automatic door with switch panel 10 holes
- Area sensor
- Switch panel (8 holes or 10 holes)
- Manual pulse generator with enable switch
- Connector and hook for manual pulse generator
- Tool breakage detector, touch type
- Rotary table T-200Ad
- Additional axis cable (for 1 axis or 2 axes)
- RS232C 25-pin connector at control box
- Spindle override
- Master on circuit
- Data protection switch, key type
- Grip cover for 14/21/28-tool magazine
- Parts name sticker set
- Breaker handle cover
- Origin alignment mark
- 100v outlet in control box
- Power supply expansion 50A
- Transformer box
- Specified color

- EXIO board assembly
  - 1) EXIO board, input 32/output 32, additional #1
  - 2) EXIO board, input 32/output 32, additional #2
- PLC programming software for D00
- Industrial network
  - 1) CC-Link, master station
  - 2) CC-Link, remote device station
  - 3) PROFIBUS DP, slave
  - 4) DeviceNet, slave
  - 5) PROFINET, slave
  - 6) EtherNet/IP, slave
- Memory expansion 3 Gbytes



### Machine Specifications

Item		S300Xd1 S300Xd1 RD *9 S300Xd1-5AX S300Xd1-5AX RD *9	S500Xd1 S500Xd1 RD *9 S500Xd1-5AX S500Xd1-5AX RD *9	S700Xd1 S700Xd1 RD *9 S700Xd1-5AX S700Xd1-5AX RD *9	
CNC unit		《S300/S500/S700Xd1》 《S300/S500/S700Xd1-5AX》	CNC-D00 CNC-D00v(DB)		
Travels	X axis	mm(inch)	300 (11.8)	500 (19.7)	700 (27.6)
	Y axis	mm(inch)		400 (15.7)	
	Z axis	mm(inch)		300 (11.8)	
	Distance between table top and spindle nose end	mm(inch)		180~480 (7.1~18.9)	
Table	Work area size	mm(inch)	600 × 400 (23.4 × 15.7)		800 × 400 (31.4 × 15.7)
	Max. loading capacity (uniform load)	kg(lbs)	250[300 *6] (551[661 *6])	250[400 *6] (551[881 *6])	
Spindle	Spindle speed	min <sup>-1</sup>	10,000min <sup>-1</sup> specifications: 1~10,000, 16,000min <sup>-1</sup> specifications (optional): 1~16,000 10,000min <sup>-1</sup> high-torque specifications (optional): 1~10,000, 27,000min <sup>-1</sup> specifications (optional): 1~27,000		
	Speed during tapping	min <sup>-1</sup>	MAX. 6,000 (27,000min <sup>-1</sup> specifications: MAX. 8,000)		
	Tapered hole		7/24 tapered NO.30		
	BT dual contact spindle (BIG-PLUS)		Optional		
	Coolant through spindle (CTS)		Optional (CTS cannot be selected for 27,000min <sup>-1</sup> specification models)		
Feed rate	Rapid traverse rate (XYZ-area)	m/min(inch/min)	50 × 50 × 56 (1,969 × 2,205)		
	Cutting feed rate	mm/min(inch/min)	X,Y,Z: 1~30,000 (0.04~1,181)*7		
ATC unit	Tool shank type		MAS-BT30		
	Pull stud type *4		MAS-P30T-2		
	Tool storage capacity	pcs.	14 / 21	14 / 21 / 28	
	Max. tool length	mm(inch)	160 (6.3) [21 tool] 250 (9.8) [14 tool]	250 (9.8)	
	Max. tool diameter	mm(inch)	ø110 (4.3)		
	Max. tool weight *1	kg(lbs)	3.0 (6.6) [4.0 (8.8)*10]/tool, (TOTAL TOOL WEIGHT: 25 (55.1) for 14 tools, 35 (77.2) for 21 or 28 tools)		
Tool selection method			Random shortcut method		
	Tool To Tool	sec	0.6 / 0.7 (14 or 21 tools / 28 tools)		
Tool change time *5	Chip To Chip	sec	1.2 / 1.3 (14 or 21 tools / 28 tools)		
	Main spindle motor (10min/continuous) *2	kW	10,000min <sup>-1</sup> specifications: 10.1/7.0, 16,000min <sup>-1</sup> specifications (optional): 7.4/5.1 10,000min <sup>-1</sup> high-torque specifications (optional): 12.8/9.2, 27,000min <sup>-1</sup> specifications (optional): 8.9/6.3		
Axis feed motor		kW	X,Y axis: 1.0 Z axis: 2.0		
	Power supply		AC 200 to 230 V±10%,3-phase, 50/60Hz±2%		
Power source	Power capacity (continuous)	kVA	10,000min <sup>-1</sup> specifications: 9.5, 16,000min <sup>-1</sup> specifications (optional): 9.5 10,000min <sup>-1</sup> high-torque specifications (optional): 10.4, 27,000min <sup>-1</sup> specifications (optional): 9.5		
	Air supply	MPa	0.4~0.6 (recommended value 0.5MPa) *8		
	Required flow	L/min	45 (27,000min <sup>-1</sup> specifications: 115)		
Machining dimensions	Height	mm(inch)	2,498 (98.4)		
	Required floor space *11 [with control unit door open]	mm(inch)	1,080 × 2,106 [2,944] (42.5 × 82.9[115.9])	1,560 × 2,026 [2,864] (61.4 × 79.8[112.8])	2,050 × 2,026 [2,864] (80.7 × 79.8[112.8])
	Weight	kg(lbs)	2,350 (5,181)	2,400 (5,292)	2,550 (5,622)
Accuracy *3	Accuracy of bidirectional axis positioning (ISO230-2:1988)	mm(inch)	0.006~0.020 (0.00024~0.00079)		
	Repeatability of bidirectional axis positioning (ISO230-2:2014)	mm(inch)	Less than 0.004 (0.00016)		
Front door			2doors		

Standard accessories Instruction Manual (DVD 1 set), leveling bolts (4 pcs.), leveling plate (4 pcs.)

\*1 Actual tool weight differs depending on the configuration and center of gravity. The figures shown here are for reference only. \*2 Spindle motor output differs depending on the spindle speed. \*3 Measured in compliance with ISO standards and Brother standards. Please contact your local distributor for details. \*4 Brother specifications apply to the pull studs for CTS. \*5 Measured in compliance with JIS B6336-9 and MAS011-1987. \*6 Parameter adjustment is required. (Acceleration adjustment and positioning speed are also changed according to the weight.) \*7 When using high accuracy mode B. \*8 Regular air pressure varies depending on the machine specifications, machining program details, or use of peripheral equipment. Set the pressure higher than the recommend value. \*9 The machine needs to be equipped with a relocation detection device depending on the destination. Machines equipped with a relocation detection device come with "RD" at the end of the model name. \*10 Parameter setting must be changed. (Tool magazine indexing time will change.) Max. tool weight 4.0kg cannot be available for the 27,000min<sup>-1</sup> specifications. \*11 The value does not include the coolant tank.

● Please read the instruction manuals and safety manuals before using Brother products for your own safety.  
When using oil-based coolant oil or when machining the materials which can cause a fire (ex. Magnesium, resin material), customers are requested to take thoroughgoing safety measures against fire. Depending on the types of cutting material, cutting tools, coolant oil, lubrication oil, it may have an influence on the machine lifecycle. Further questions, please contact our sales representative in charge.

● Leave 700 mm between machines as a maintenance space.

● When exporting our machine together with additional 1-axis rotary table or compound rotary table (including case that a rotary table is scheduled to be installed overseas), or exporting S300/S500/S700Xd1-5AX, the machine is deemed to be included in the "applicable listed items" controlled by the Foreign Exchange and Foreign Trade Law of Japan. When exporting the machine, please obtain required permissions, including an export license, from the Ministry of Economy, Trade and Industry (METI) or Regional Bureaus of Economy, Trade and Industry before shipment. When re-selling or re-exporting the machine, you may need to obtain permissions from METI, and the government of the country where the machine is installed.

● When exporting our machine together with compound rotary table (including case that a rotary table is scheduled to be installed overseas), or exporting S300/S500/S700Xd1-5AX, as a machine conforming to Row 2 of Appended Table 1 of Export Trade Control Order, a relocation detection device is installed on the machine depending on the destination country. After relocating the machine with the detection device, the machine is locked and any operation is temporarily impossible. Please inform your local distributor of machine relocation in advance and apply to perform the release operation of relocated machine.

● In order to operate our machine with an additional axis rotary table installed separately overseas after exporting the machine, the procedure to activate the axis of rotary table is needed. Please inform your local distributor of these processes in advance, because the predetermined procedure is required to perform the activation. In addition, for export to some countries and regions other than "Group A countries", it is not possible to install a compound rotary table separately overseas after exporting the machine. Please make sure to obtain the export license of the machine together with compound rotary table before shipment.

### NC unit specifications

CNC model	《S300/S500/S700Xd1》 《S300/S500/S700Xd1-5AX》	CNC-D00 CNC-D00v (DB)
Control axes	5 axes (X, Y, Z, 2 additional axes)	
Simultaneously controlled axes	Positioning	5 axes (X, Y, Z, 2 additional axes)
《S300/S500/S700Xd1》	Interpolation	Linear: 4 axes (X, Y, Z, 1 additional axis) Circular: 2 axes Helical/Conical: 3 axes (X, Y, Z)
	Simultaneously controlled axes	5 axes (X, Y, Z, 2 additional axes)
《S300/S500/S700Xd1-5AX》	Interpolation	Linear: 5 axes (X, Y, Z, 2 additional axes) Circular: 2 axes Helical/Conical: 4 axes (Up to 3 axes for linear + 1 axis for rotation, 2 axes for linear + 2 axes for rotation)

Least input increment	0.001 mm, 0.0001 inch, 0.001 deg.
Max. programmable dimension	±999999.999 mm, ±99999.9999 inch
Display	15-inch color LCD touch display
Memory capacity	《S300/S500/S700Xd1》500 Mbytes, 3 Gbytes (optional) 《S300/S500/S700Xd1-5AX》3 Gbytes (Total capacity of program and data bank)
External communication	USB memory interface, Ethernet, RS232C (optional)
No. of registrable programs	4,000 (Total capacity of program and data bank)
Program format	NC language, conversation (changed by parameter) Conversion from conversation program to NC language program available

\* "Control axes" and "Simultaneously controlled axes" indicate the maximum number of axes, which will differ depending on the destination country and the machine specifications.  
\* Ethernet is a registered trademark of Xerox Corporation in the United States.

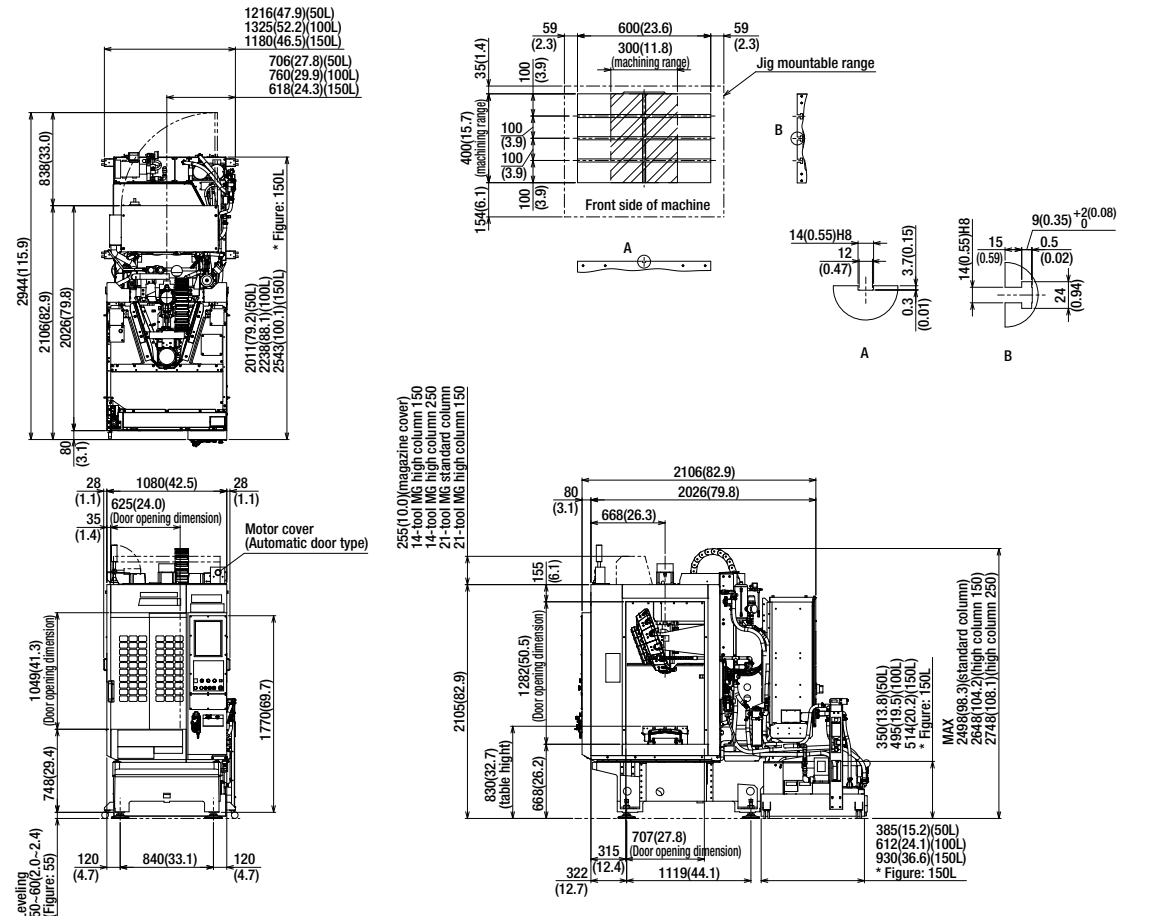
### NC functions

Operation	Dry run		Maintenance	Tap return function	Functions limited to NC language	Menu programming
	Machine lock			Status log		Local coordinate system
	Program restart			Alarm log		Expanded workpiece coordinate system
	Rapid traverse override			Operation log		One-way positioning
	Cutting feed override			Maintenance notice		Inverse time feed
	Background editing			Motor insulation resistance measurement		Programmable data input
	Screen shot			Tool washing filter with filter clogging detection		Tool length compensation
	Operation level			Battery-free encoder		Cutter compensation
	External input signal key			Breake load test		Scaling
	Shortcut keys			Automatic / Network		Computer remote
<Optional>		OPC UA	External sub program call	Macro		
Spindle override		Auto notification	Built-in PLC (LD/ST/FBD)	Operation in tape mode		
Programming	Absolute / Incremental		<Optional>	Multiple skip function		
	Inch / Metric		CC-Link, master station	<Optional>		
	Coordinate system setting		CC-Link, remote device station	Submicron command *2*5		
	Corner C / Corner R		PROFIBUS DP, slave	Interrupt type macro		
	Rotational transformation		DeviceNet, slave	Rotary fixture offset		
	Synchronized tap		PROFINET, slave	Feature coordinates setting *3*5		
	Subprogram		EtherNet/IP, slave	Involute interpolation		
	Graphic display		Energy saving	Automatic power off	Functions limited to conversation	
	Automatic workpiece measurement *1		Standby mode	Schedule program		
	Tool length measurement		Automatic coolant off	Automatic tool selection		
High speed and high accuracy	Machining parameter adjustment		Automatic work light off	Automatic cutting condition setting		
	High-accuracy mode All		Chip shower off delay	Automatic tool length compensation setting		
	High-accuracy mode BI (look-ahead 160 blocks)		Support apps	Adjust machine parameters		
	Backlash compensation		ATC tool	Automatic cutter compensation setting		
	Tool center point control *3 *4		Tool life	Automatic calculation of unknown number input		
	(Look-ahead 1,000 blocks)		Waveform display	Machining order control		
	<Optional>		Production performance			
	High accuracy mode BII		Power consumption			
	(Look-ahead 1,000 blocks, smooth path offset)		Recovery support			
	Machining load monitoring		Inspection			
ATC monitoring		PLC				
Overload prediction		Accessories	File viewer			
Waveform display / Waveform output to memory card			Notebook			
Heat expansion compensation system II (X, Y, and Z axes)			Calculator			
Production performance display			Register shortcut			
Tool life / Spare tool			Display off			

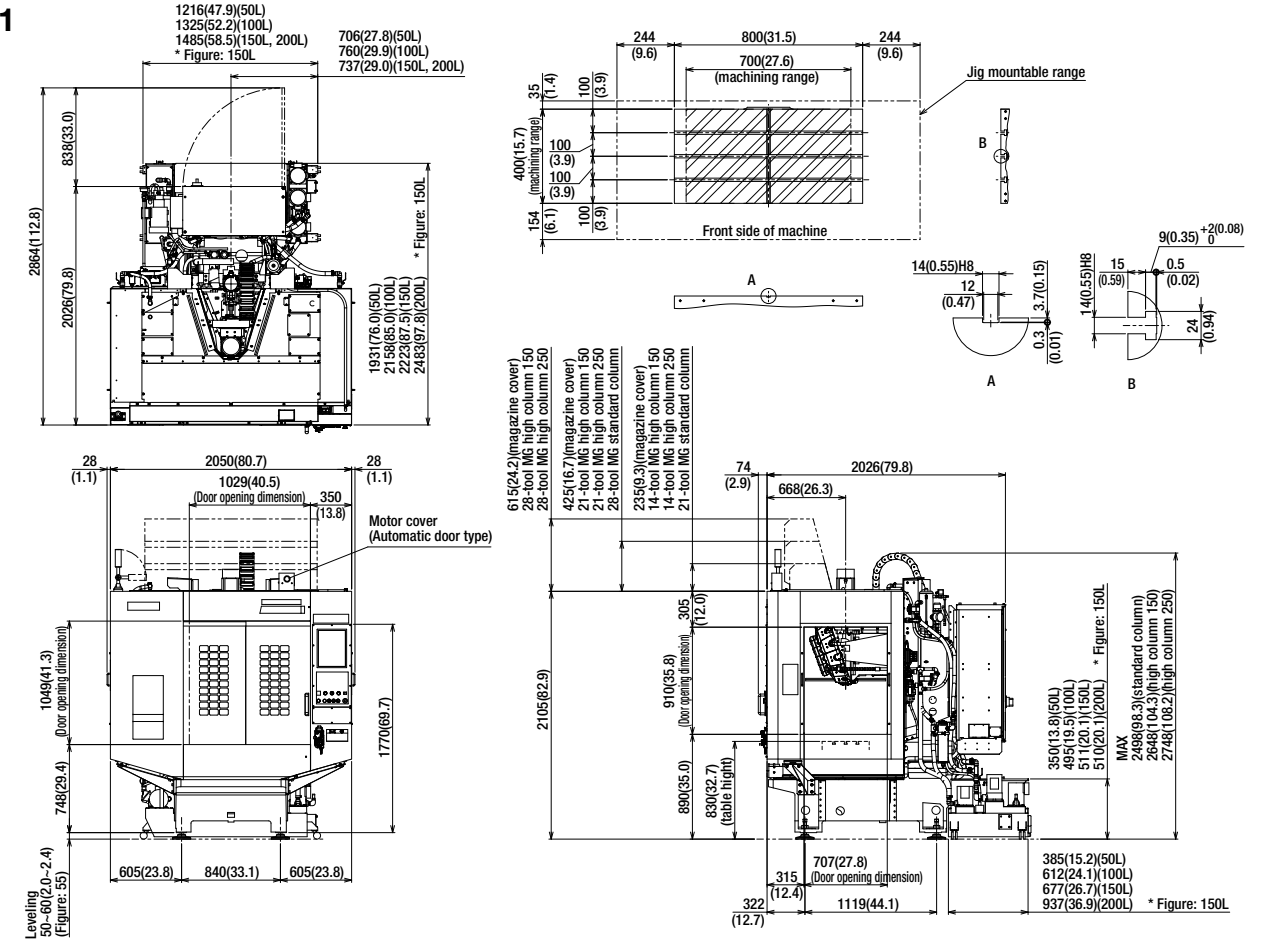
\*1. Measuring instrument needs to be prepared by users.  
\*2. When the submicron command is used, changing to the conversation program is disabled.  
\*3. There are restrictions on the axis configuration.  
\*4. Available only for the S300/S500/S700Xd1-5AX  
\*5. Standard on the S300/S500/S700Xd1-5AX

\* Depending on the type of coolant, it may have a significant influence on the machine lifecycle. It is recommended to use the coolant which is commercially designated as high lubricity, for example Emulsion type. Especially, the coolant of chemical solution type (ex. Synthetic type) is prohibited to use, because it may cause machine damages.  
\* When using CTS (Coolant Through Spindle) function, usage of the coolant of combustible type (ex. Oil-based type) is prohibited.

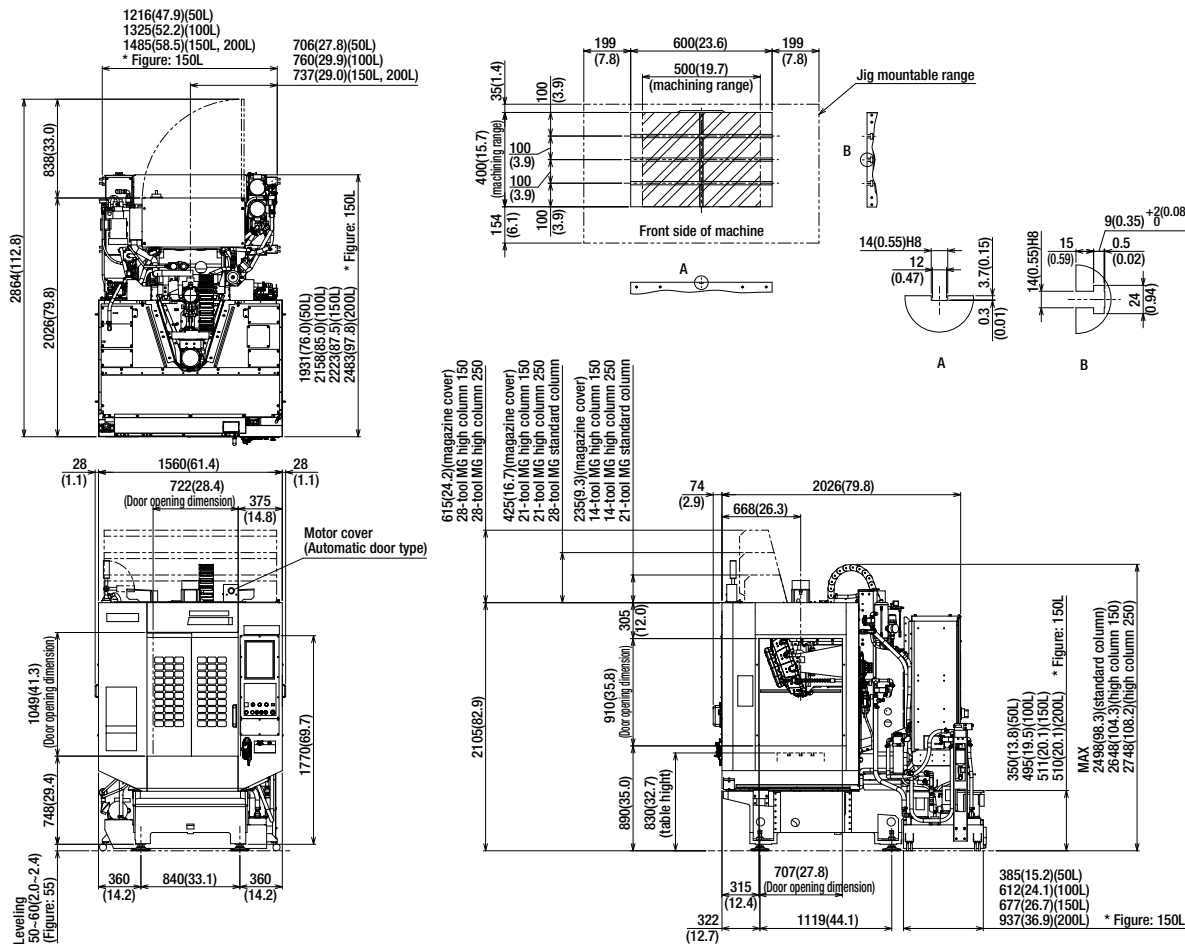
S300Xd1



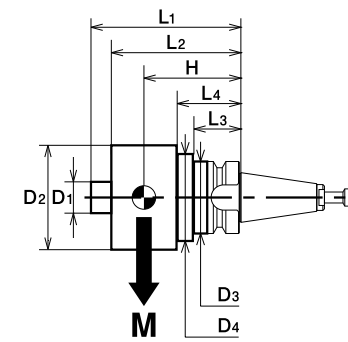
S700Xd1



S500Xd1



Tool dimension drawing



Maximum Spindle Speed	10000min <sup>-1</sup> / 16000min <sup>-1</sup> / 27000min <sup>-1</sup>			
Spindle Taper	7 / 24 No.30			
Tool Shank	MAS-BT			
Pull Stud	MAS-P30T-2			
Total for All Magazine Tools	M total 25kg (14 Tools) / 35kg (21/28 Tools)			
Maximum tool specification settings	Heavy tool	Standard tool		
Tool Limits	D1 ≦ 40mm L1 ≦ 250mm D2 ≦ 110mm L2 ≦ 160mm D3 ≦ 46mm L3 ≦ 30mm D4 ≦ 80mm L4 ≦ 35mm M ≦ 4kg MxH ≦ 360kg·mm	D1 ≦ 40mm L1 ≦ 250mm D2 ≦ 110mm L2 ≦ 160mm D3 ≦ 46mm L3 ≦ 30mm D4 ≦ 80mm L4 ≦ 35mm M ≦ 3kg MxH ≦ 180kg·mm	D1 ≦ 40mm L1 ≦ 250mm D2 ≦ 55mm L2 ≦ 160mm D3 ≦ 46mm L3 ≦ 30mm M ≦ 2kg MxH ≦ 100kg·mm	D1 ≦ 40mm L1 ≦ 200mm D2 ≦ 50mm L2 ≦ 160mm D3 ≦ 46mm L3 ≦ 30mm M ≦ 2kg MxH ≦ 50kg·mm
Tool Balance Limit	60g·mm	100g·mm	50g·mm	10g·mm
Tool Speed Limit	10000min <sup>-1</sup>		16000min <sup>-1</sup>	27000min <sup>-1</sup>

mm(inch)  
Secure 700 mm(27.6 inch) between machines as maintenance space.



### Brother Technology Center Chicago

BROTHER INTERNATIONAL CORP.  
2200 North Stonington Avenue, Suite 270, Hoffman Estates, IL 60169, U.S.A.  
PHONE:(1)224-653-8415 FAX:(1)224-653-8821

### Brother Technology Center Frankfurt

BROTHER INTERNATIONALE INDUSTRIEMASCHINEN GmbH  
Hoechster Str.94, 65835 Liederbach, Germany  
PHONE:(49)69-977-6708-0 FAX:(49)69-977-6708-80

### Brother Technology Center Bengaluru

BROTHER MACHINERY INDIA PVT LTD.  
SB-111-112, 1st Stage, 2nd Cross, Peenya Indl Estate, Bengaluru - 560058 Karnataka, India  
PHONE:(91)80-43721645

### Brother Technology Center Shanghai

BROTHER MACHINERY (SHANGHAI) LTD.  
Unit 01, 5/F., No.799, West Tianshan Rd., ChangNing District Shanghai 200335, China  
PHONE:(86)21-2225-6666 FAX:(86)21-2225-6688

### Brother Technology Center Chongqing

BROTHER MACHINERY (SHANGHAI) LTD.  
Room 30, 31, NO.104 Cui bai Road, Dadukou District, Chongqing Province, 400084, China  
PHONE:(86)23-6865-5600 FAX:(86)23-6865-5560

### Nanjing Office

BROTHER MACHINERY (SHANGHAI) LTD.  
503 Room, Building No.1, No.39, Dongcun Road, Jiangning District, Nanjing City, Jiangsu Province, China  
PHONE:(86)25-87185503

### Brother Technology Center Queretaro

BROTHER INTERNATIONAL DE MÉXICO, S.A. DE C.V.  
Calle 1 No.310 Int 15, Zona Industrial Jurica, Parque Industrial Jurica,  
Queretaro, QRO C.P. 76100 México  
PHONE:(52)55-8503-8760 FAX:(52)442-483-2667

### Brother Technology Center Bangkok

BROTHER COMMERCIAL (THAILAND) LTD.  
317 Pattanakarn Road, Pravet Sub-District, Pravet District, Bangkok 10250, Thailand  
PHONE:(66)2321-5910 FAX:(66)2321-5913

### Gurugram Service Center

BROTHER MACHINERY INDIA PVT LTD.  
CE SERVICED OFFICES PVT. LTD., DLF CYBER HUB, Building No 10, Tower A, Level 1,  
Phase 3, DLF Cyber City, Gurugram - 122002 Haryana - India  
PHONE:(91)80-43721645

### Brother Technology Center Dongguan

BROTHER MACHINERY (SHANGHAI) LTD.  
Room 103, Building 1, No.2 Nanbo Road,  
Songshan Lake District, Dongguan City, Guangdong Province, China  
PHONE:(86)769-2238-1505 FAX:(86)769-2238-1506

### Brother Technology Center Ningbo

BROTHER MACHINERY (SHANGHAI) LTD.  
1F, Building 1, No. 102, Hongtang South Road West Section, Jiangbei District, Ningbo City,  
Zhejiang Province, China  
PHONE:(86)574-87781232 FAX:(86)574-88139792

Figures in brackets ( ) are the country codes.

Specifications may be subject to change without any notice.

## BROTHER INDUSTRIES, LTD.

### Machinery Business Division

1-5, Kitajizoyama, Noda-cho, Kariya-shi, Aichi-ken 448-0803, Japan  
<https://www.brother.co.jp>

